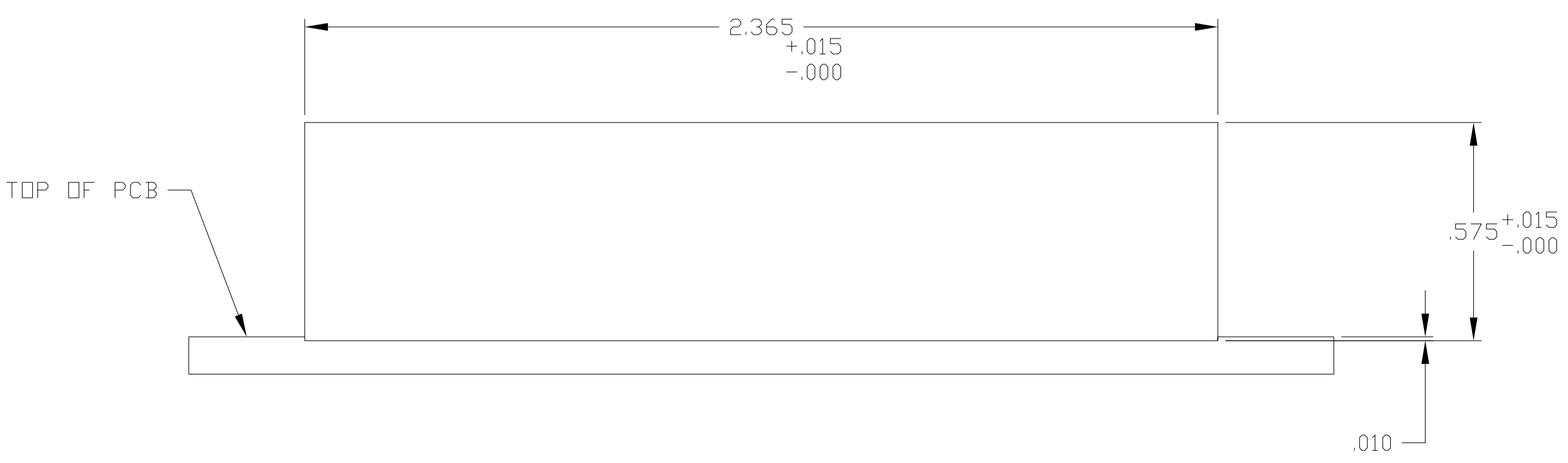
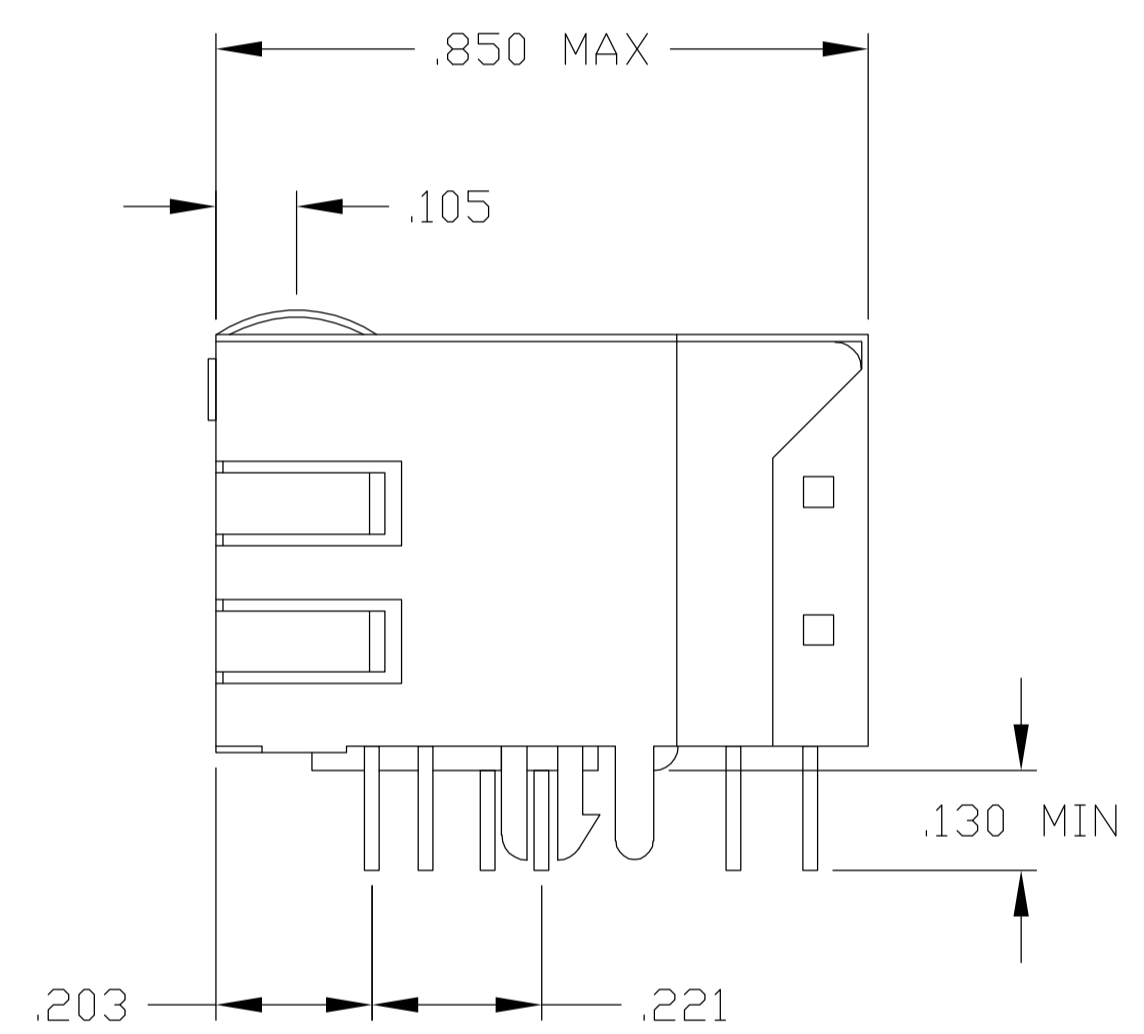
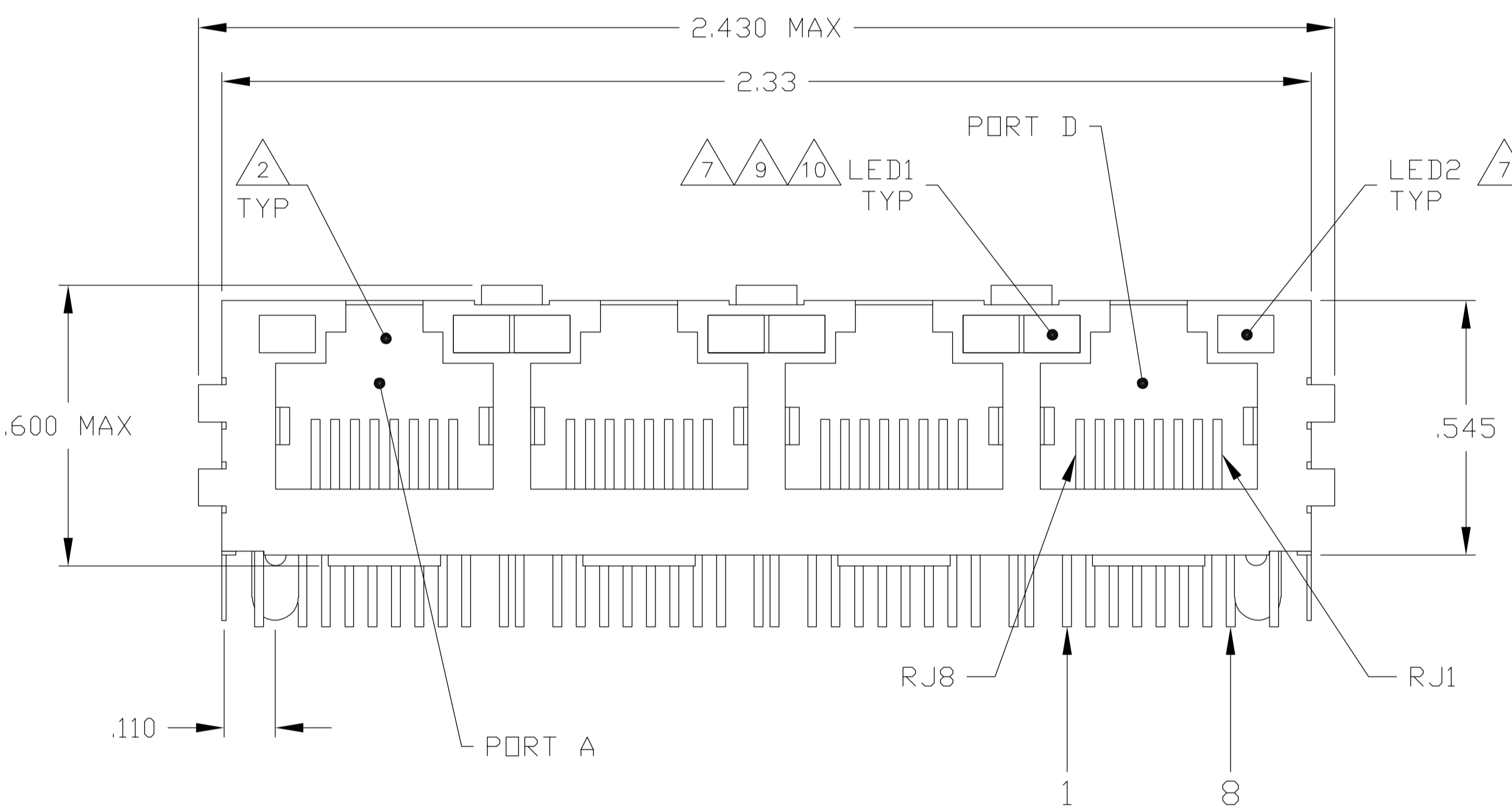
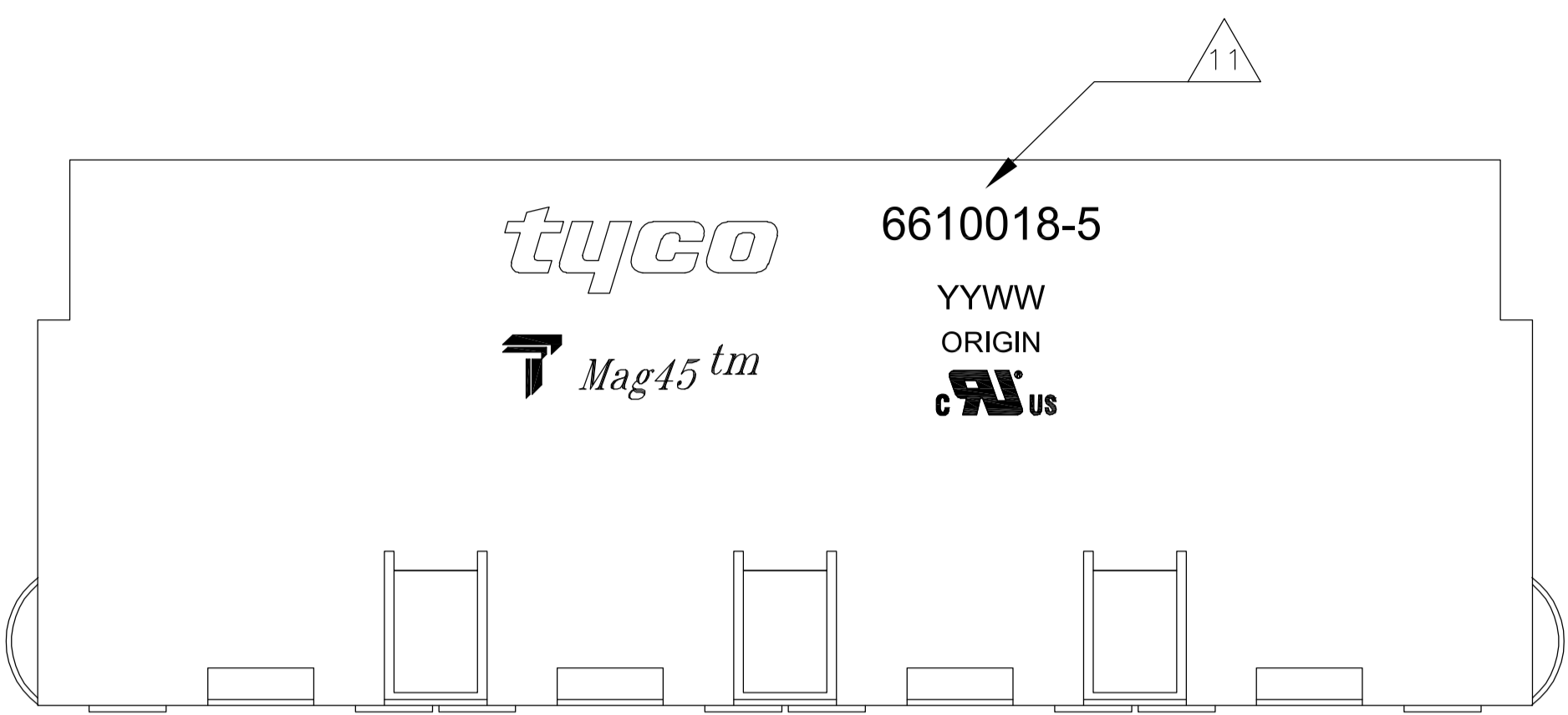


MECHANICAL:



1X4 SUGGESTED PANEL CUTOUT

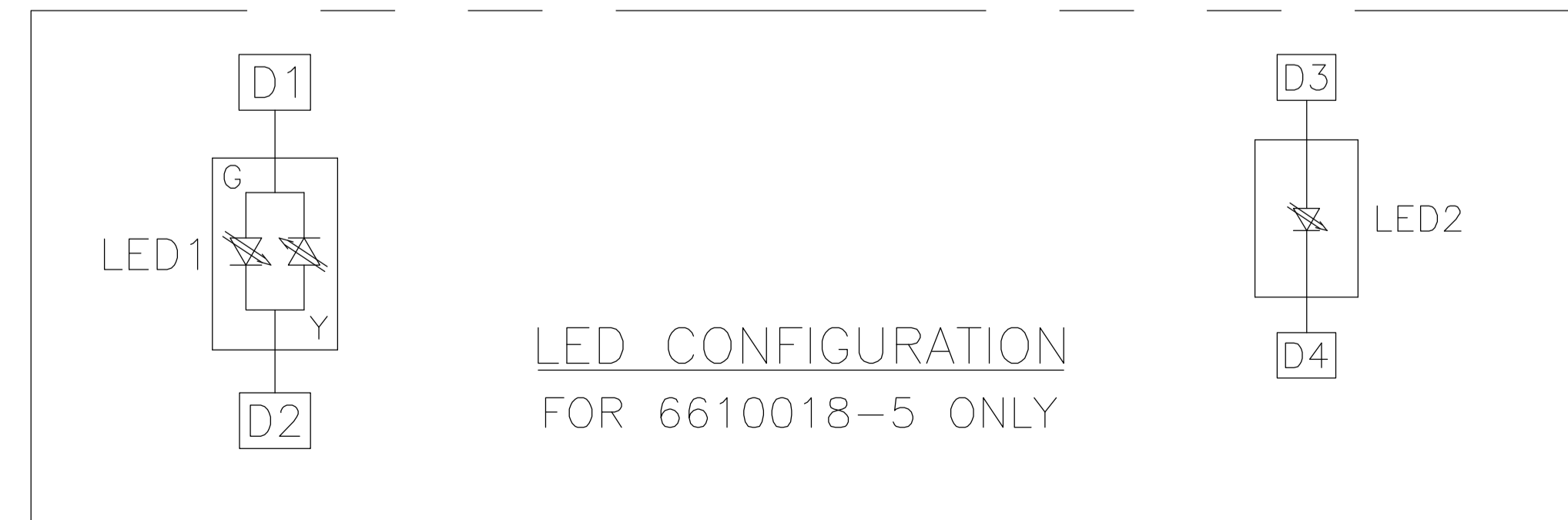
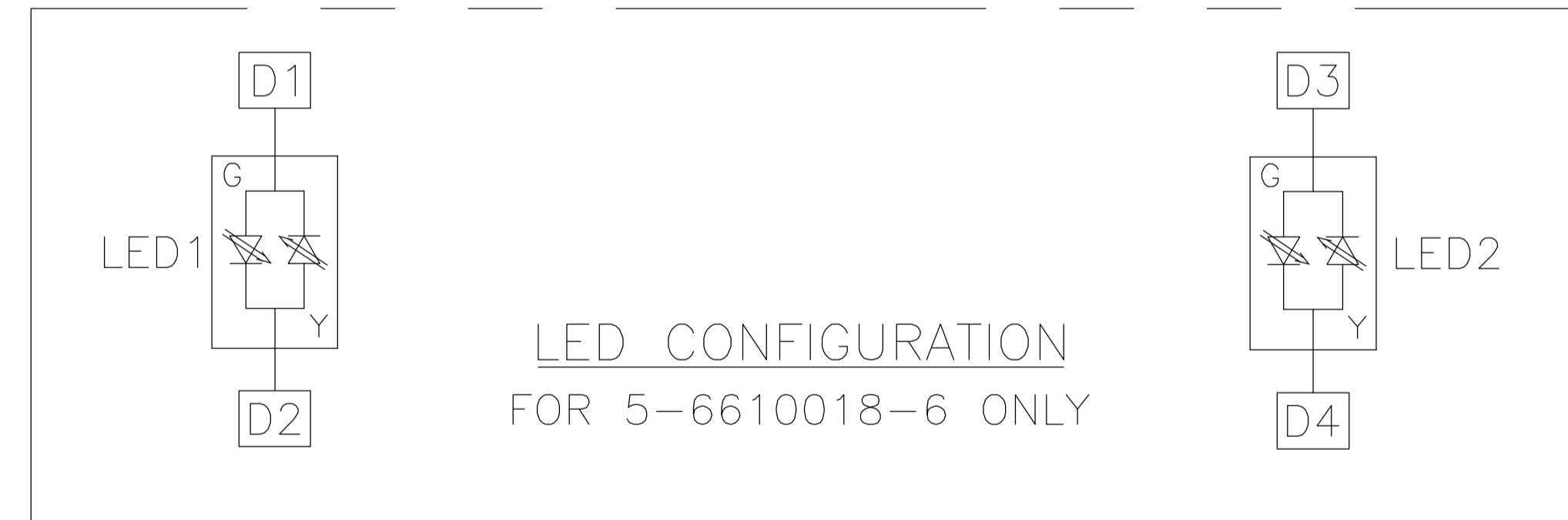
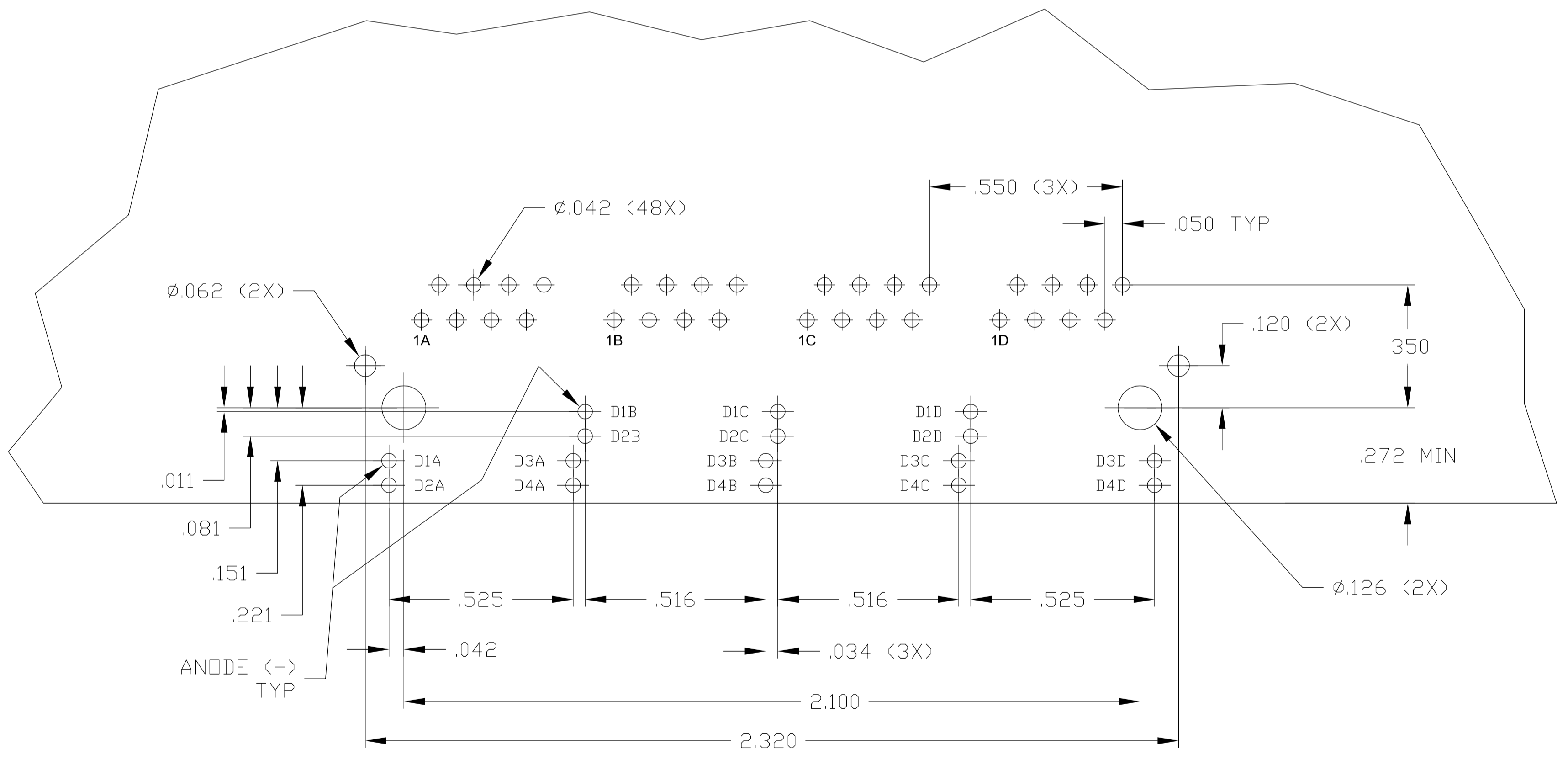
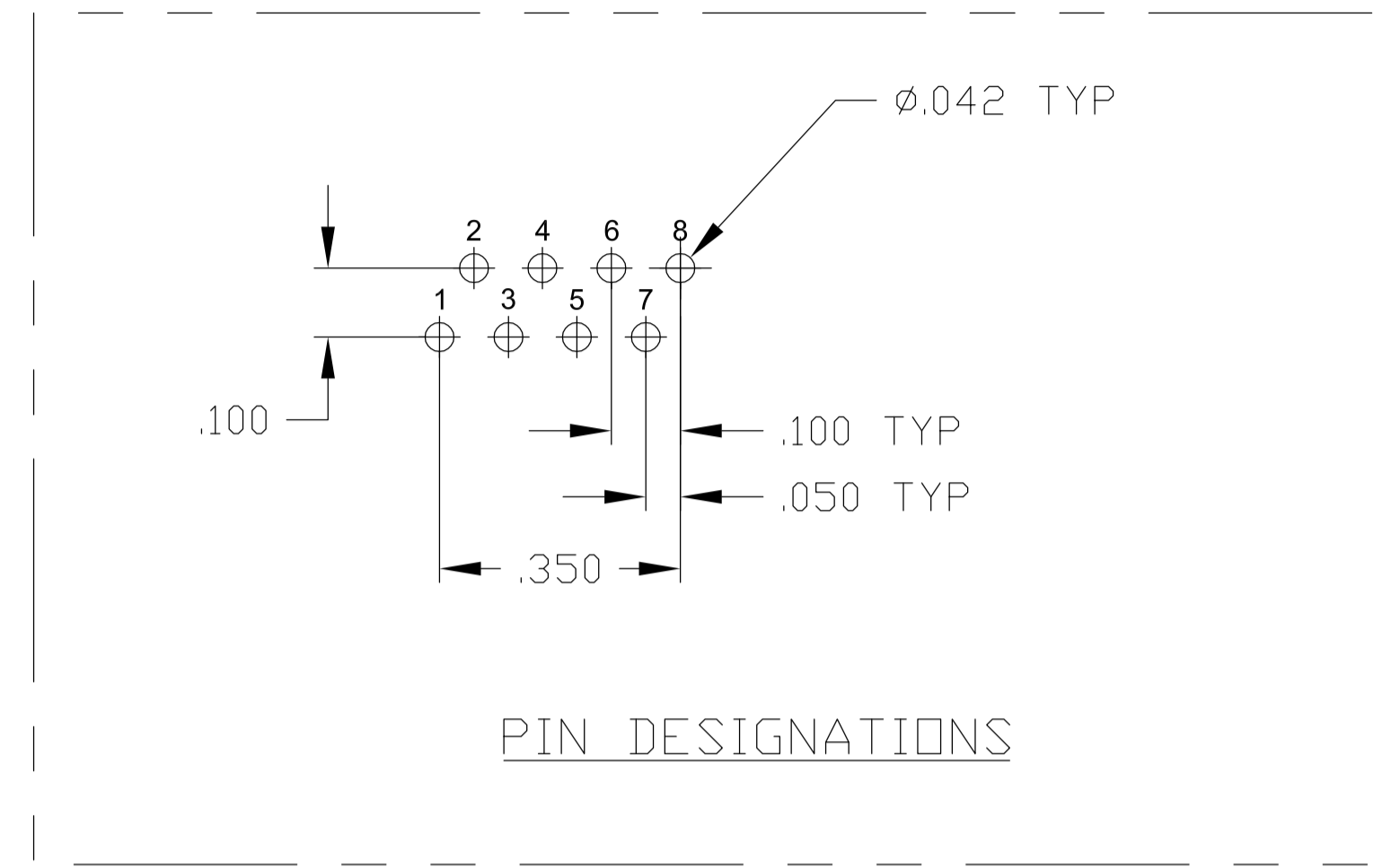
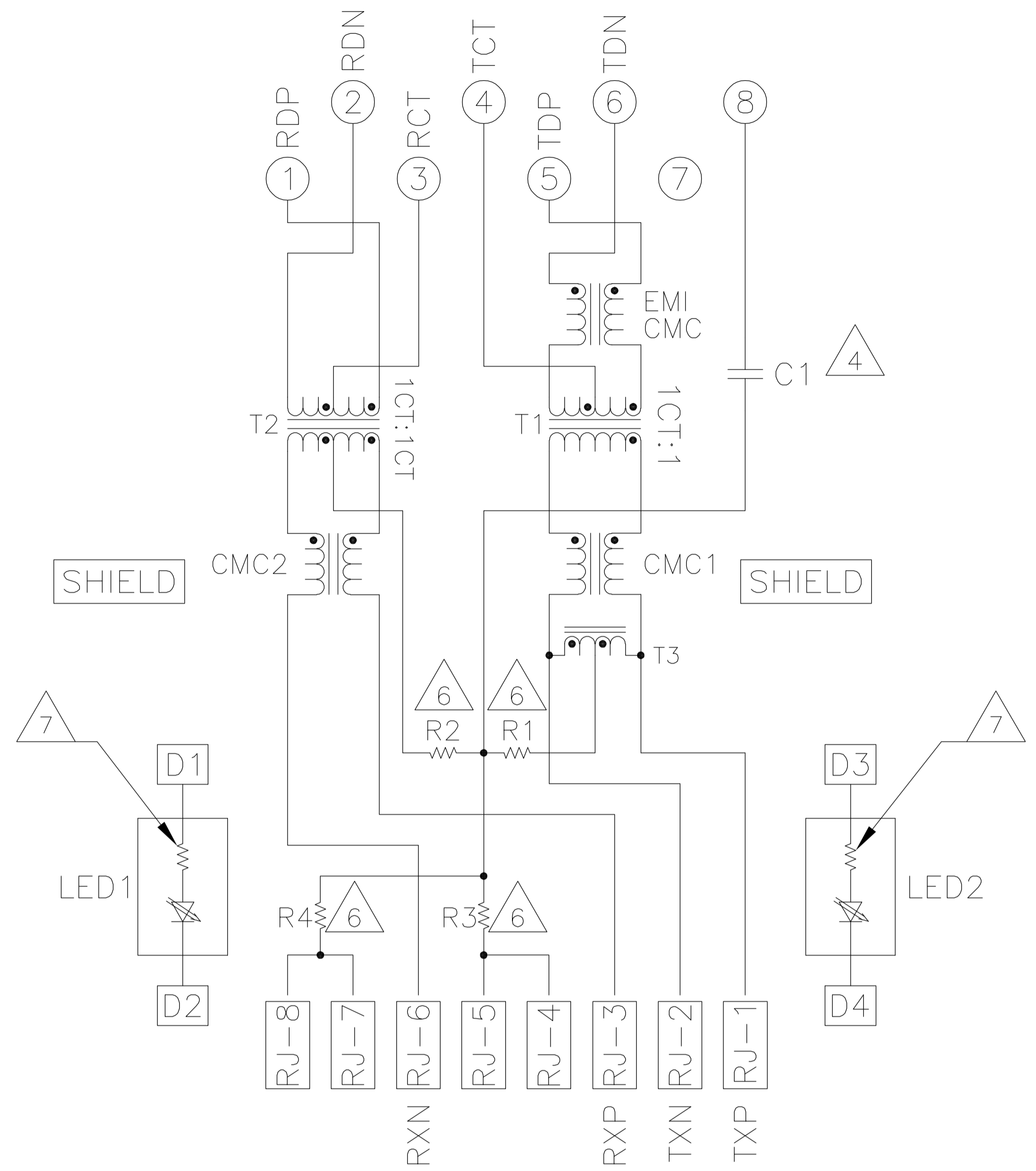
- 1 MATERIALS:
 - HOUSING - THERMOPLASTIC PET POLYESTER FLAMMABILITY RATING UL 94V-0.
 - SHIELD - .010" THICK, C26800 BRASS PREPLATED WITH 30μINCH MIN SEMI-BRIGHT NICKEL. SOLDER TABS POST DIPPED WITH 100μINCH MIN SAC SOLDER.
 - MOD JACK CONTACTS - 0.0157 X 0.018" PHOSPHOR BRONZE, 50μINCH MIN OVERALL NICKEL UNDERPLATE WITH SELECT 50μINCH MIN HARD GOLD FINISH PLATE. SOLDER TAILS WITH 100μINCH MIN MATTE TIN AND/OR SAC SOLDER DIP.
 - LIGHT EMITTING DIODE(LED) - DIFFUSED EPOXY LENS, .020" X .020" CARBON STEEL WIREFRAME LEADS PRE-PLATED WITH 80μINCH SILVER OVER 40μINCH NICKEL UNDERPLATE OVER 40μINCH COPPER UNDERPLATE. POST-PLATED WITH 100μIN MIN MATTE TIN AND/OR SAC SOLDER DIP OR PURE TIN SOLDER DIP.
- 2 RJ45 JACK CAVITY CONFORMS TO FCC RULES AND REGULATIONS PART 68, SUB PART F.
- 3 MAGNETICS
 - IMPEDANCE: 100 OHMS
 - TURNS RATIO (CHIP-CABLE): TX = 1:1, RX = 1:1
 - OPEN CIRCUIT INDUCTANCE (OCL): 350μH MIN @100kHz, 0.1VRMS, 8mADC BIAS FROM 0°C TO 70°C, TX AND RX
 - PERFORMANCE @ 25°C:
 - INSERTION LOSS (IL): 1.1dB MAX FROM 0.5MHz TO 100MHz
 - RETURN LOSS (RL): 18dB MIN FROM 0.5MHz TO 30MHz
 - 18-20LOG(f/30)dB MIN FROM 30.1MHz TO 60MHz
 - 12dB MIN FROM 60.1MHz TO 80MHz
 - CROSSTALK ATTENUATION: 35dB MIN FROM 0.5MHz TO 40MHz
 - 33-20*LOG(f/50)dB MIN FROM 40.1MHz TO 100MHz
 - COMMON MODE REJECTION RATIO (CMRR): 30dB MIN FROM 0.5MHz TO 100MHz
 - ISOLATION VOLTAGE: COMPLIES WITH IEEE802.3 2002, PARA 23.5.1.1, ITEM a or b.
- 4 C1 IS AN OPTIONAL 1000pF, 2KV DECOUPLING CAPACITOR. IF NO CAPACITOR, TRACE IS CONTINUOUS. SEE TABLE FOR PRESENCE OF CAPACITOR IN DIFFERENT CONFIGURATIONS.
- 5. TEMPERATURE: FROM 0° TO +70°C
- 6 R1-R4 = 75 OHMS, 1/16 W, 5%
- 7 LED COMPLIANT WITH IEC60825-1 SAFETY OF LASER PRODUCTS. WHEN OPERATED UP TO 20 mA. THE 250 OHM RESISTORS IS INCLUDED IN 1-6614.0018-1 AND 5-6610018-1.
- 8 INDICATED CONNECTIONS ARE FOR NIC CONFIGURATION. THE MAGNETICS ARE ASYMMETRICAL AND DO NOT SUPPORT AUTO-MDI/MDIX.
- 9 GREEN LED PEAK WAVELENGTH(λ) = 565nm
- 10 YELLOW LED PEAK WAVELENGTH(λ) = 585nm
- 11 TRADEMARK, PART NUMBER, DATE CODE, COUNTRY OF ORIGIN AND AGENCY APPROVAL MARKING IN APPROXIMATE LOCATION SHOWN.

YES	GREEN	GREEN	5-6610018-7
YES	GREEN/YELLOW	GREEN/YELLOW	5-6610018-6
YES	GREEN	YELLOW	5-6610018-1
NO	GREEN	GREEN	1-6610018-1
NO	GREEN/YELLOW	GREEN	6610018-5
DECOUPLING CAPACITOR 4	LED1	LED2	PART NUMBER

THIS DRAWING IS A CONTROLLED DOCUMENT.

DWN	L. VARELA - 15MAR2005		Tyco Electronics Corporation
CHK	D. FAROLE - 15MAR2005		Harrisburg, PA 17105-3608
APR'D	D. FAROLE - 15MAR2005	NAME	1X4 MAG45(TM) MODULAR JACK, 7N2 SCHEMATIC, 17 SERIES CIRCUIT, SHIELDED, WITH LEDs
DIMENSIONS: INCHES	TOLERANCES UNLESS OTHERWISE SPECIFIED:	PRODUCT SPEC	108-2100
0 PLC ± -	1 PLC ± -	APPLICATION SPEC	-
1 PLC ± .010	2 PLC ± .005	SIZE	A1
3 PLC ± .005	4 PLC ± -	CAGE CODE	00779
ANGLES ± -	FINISH ± -	DRAWING NO	6610018
MATERIAL 1	FINISH 1	WEIGHT	-
		CUSTOMER DRAWING	SCALE 4:1 SHEET 1 OF 2 REV A

717 SERIES MAGNETIC CIRCUIT



SUGGESTED PCB LAYOUT

THIS DRAWING IS A CONTROLLED DOCUMENT.		DWN L. VARELA - 15MAR2005		Tyco Electronics Corporation Harrisburg, PA 17105-3608																												
DIMENSIONS: INCHES		CHK D. FAROLE - 15MAR2005		NAME D. FAROLE - 15MAR2005	PRODUCT SPEC 108-2100																											
<table border="1"> <tr> <td>0</td><td>PLC</td><td>±</td><td>-</td></tr> <tr> <td>1</td><td>PLC</td><td>±</td><td>-</td></tr> <tr> <td>2</td><td>PLC</td><td>±</td><td>.010</td></tr> <tr> <td>3</td><td>PLC</td><td>±</td><td>.005</td></tr> <tr> <td>4</td><td>PLC</td><td>±</td><td>-</td></tr> <tr> <td colspan="2">ANGLES</td><td>±</td><td>-</td></tr> <tr> <td colspan="2">FINISH</td><td>±</td><td>-</td></tr> </table>		0	PLC	±	-	1	PLC	±	-	2	PLC	±	.010	3	PLC	±	.005	4	PLC	±	-	ANGLES		±	-	FINISH		±	-	APPROD D. FAROLE	APPLICATION SPEC 108-2100	SIZE A1
0	PLC	±	-																													
1	PLC	±	-																													
2	PLC	±	.010																													
3	PLC	±	.005																													
4	PLC	±	-																													
ANGLES		±	-																													
FINISH		±	-																													
MATERIAL		WEIGHT		CAGE CODE 00779																												
		DRAWING NO 6610018		RESTRICTED TO -																												
		CUSTOMER DRAWING		SCALE 4:1 SHEET 2 OF 2 REV A																												